





"I think it is entirely correct that the design of a workplace should be about how the workforce will use it and connect to it."

Barry Jenkins
Broome Jenkins Design Consultants

Serenity

Serenity has been designed with versatility in mind. This stylish and adaptable seat can be specified with or without a headrest and the twin shell design allows the chairs to be specified fully upholstered. Alternatively, finish with a walnut veneer or white laminated outer shell to tailor the look and feel of the chairs to suit the environment.

Features

- Plywood twin shell
- High density CMHR foam



SERENITY SER PLUS WALNUT - MR

SERENITY SER - FS



SERENITY SER - TL / SER WHITE - WF / SER - FS



SERENITY SER - WF / QUILTED OPTION

SERENITY



SER - FS

Serenity chair with chrome four star swivel base.

DIMENSIONS	
WIDTH	630mm
DEPTH	690mm
SEAT HEIGHT	415mm
OVERALL HEIGHT	800mm



SER - MR

Serenity chair with chrome four star memory return base.

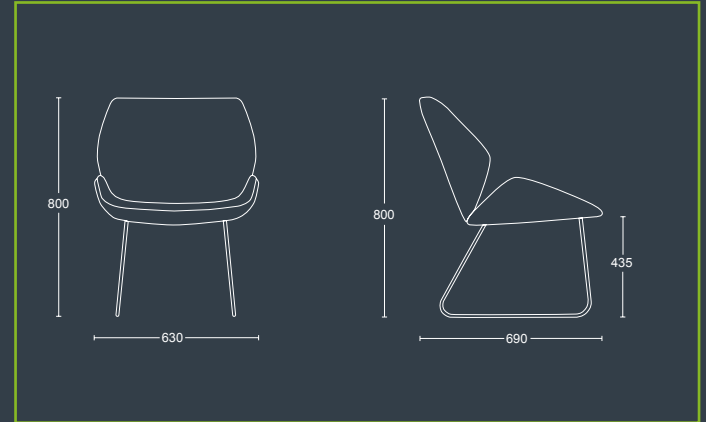
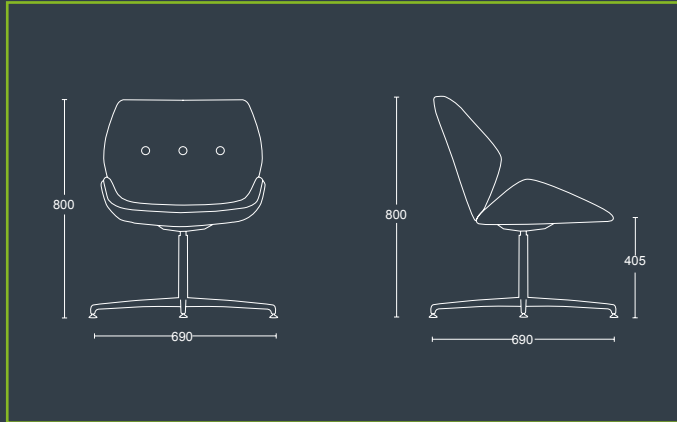
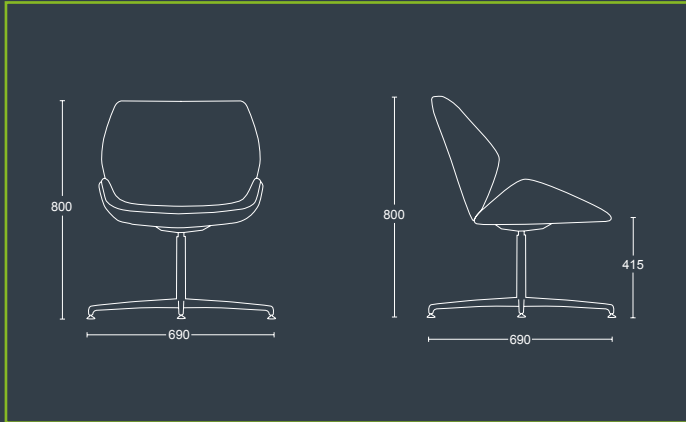
DIMENSIONS	
WIDTH	630mm
DEPTH	690mm
SEAT HEIGHT	*405mm 460mm
OVERALL HEIGHT	*800mm 855mm



SER - WF

Serenity chair with chrome sled frame.

DIMENSIONS	
WIDTH	630mm
DEPTH	690mm
SEAT HEIGHT	440mm
OVERALL HEIGHT	830mm



SERENITY



SER - TL

Serenity chair with timber legs.

DIMENSIONS	
WIDTH	630mm
DEPTH	690mm
SEAT HEIGHT	435mm
OVERALL HEIGHT	800mm



SER PLUS - FS

Serenity chair with headrest and chrome four star swivel base.

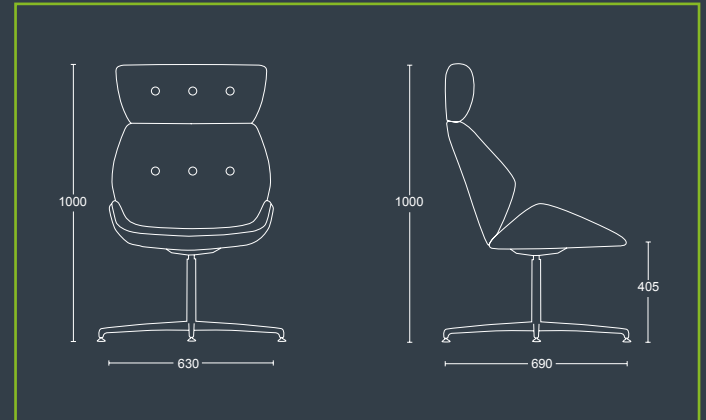
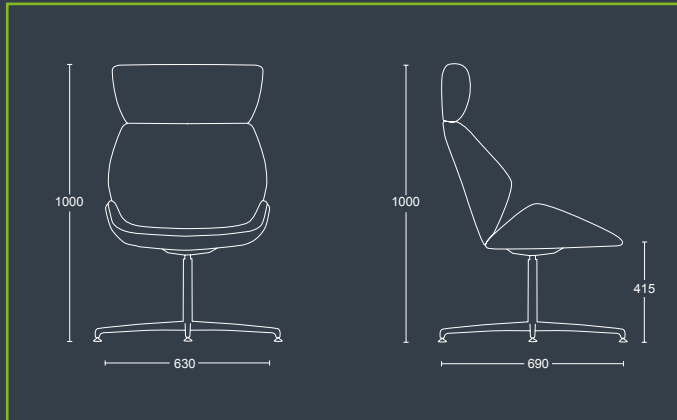
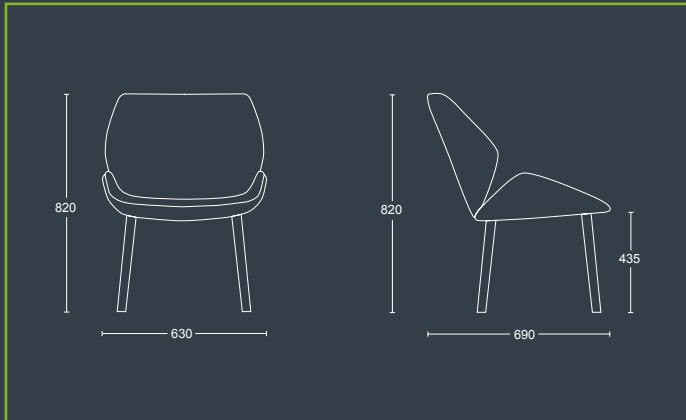
DIMENSIONS	
WIDTH	630mm
DEPTH	690mm
SEAT HEIGHT	415mm
OVERALL HEIGHT	1000mm



SER PLUS - MR

Serenity chair with headrest, chrome four star memory return base.

DIMENSIONS	
WIDTH	630mm
DEPTH	690mm
SEAT HEIGHT	*405mm 460mm
OVERALL HEIGHT	*1000mm 1055mm



SERENITY PLUS



SER PLUS - WF

Serenity chair with headrest and chrome sled frame.

DIMENSIONS

WIDTH 630mm
DEPTH 690mm
SEAT HEIGHT 440mm
OVERALL HEIGHT 1055mm

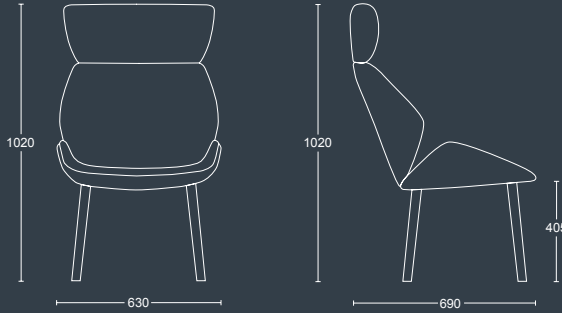
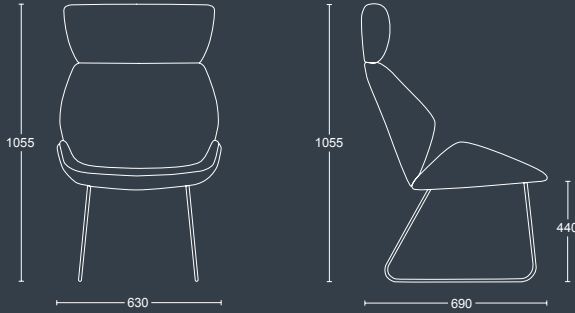


SER PLUS - TL

Serenity chair with headrest and timber legs.

DIMENSIONS

WIDTH 630mm
DEPTH 690mm
SEAT HEIGHT 435mm
OVERALL HEIGHT 1020mm



pulse
DESIGN

Parkside Mill, Walter Street, Blackburn, Lancashire BB1 1TL
 Telephone: 01254 673 400 Fax: 01254 665 571
 Email: sales@pulse-design.co.uk www.pulse-design.co.uk



Certificate Number 12877
ISO 9001