



NILE

# NILE

Nile's clean lines and simple design make this a stylish and practical option for a wide variety of functions. Lightweight and durable Nile is ideal for breakout, café and visitor areas.

## Standard Features

- Polypropylene chair
- Chrome four legged or sled frame
- Stack in sets of 5 chairs

## Optional Features

- Available in colours; Black, Blue, Red, Green, Purple and White



NILE - NILE-NS / CHROME SLED FRAME



NILE - NILE-NF / CHROME FOUR LEGGED FRAME

## NILE



### NS

Chrome sled frame polypropylene chair.

### DIMENSIONS

WIDTH 470mm  
 DEPTH 510mm  
 SEAT HEIGHT 470mm  
 OVERALL HEIGHT 830mm

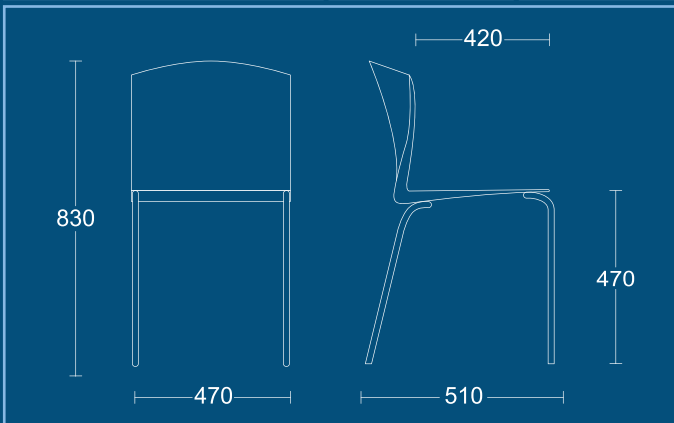
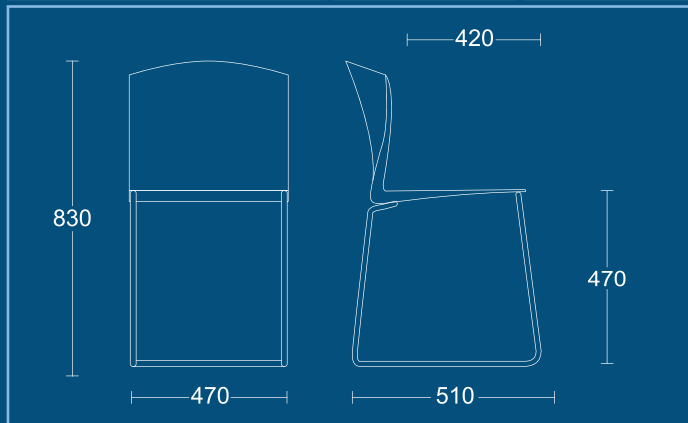


### NF

Chrome frame four legged polypropylene chair.

### DIMENSIONS

WIDTH 470mm  
 DEPTH 510mm  
 SEAT HEIGHT 470mm  
 OVERALL HEIGHT 830mm



## PSI Seating Limited

Parkside Mill  
 Walter Street  
 Blackburn  
 Lancashire  
 BB1 1TL

Telephone: **01254 673400**

Fax: **01254 665571**

Email: [sales@psiseating.co.uk](mailto:sales@psiseating.co.uk)

[www.psiseating.co.uk](http://www.psiseating.co.uk)

[f /psiseating](#)
[@psiseating](#)
[+psiseating](#)
[/psiseating](#)



Certificate Number 12877  
 ISO 9001