



ICON

ICON

Icon is a distinctive chair with high back or medium back cantilever options, creating a modern look for any office environment. A variety of arm and base styles and choice of mechanisms make Icon a chair that can be as unique as your business.

Standard Features

- High or medium back options
- Black nylon base

Optional Features

- Chrome Base (SCB)
- Chrome Base (CBY)
- Seat Slide



ICON - IH(1) AAT



ICON - IMCCL



ICON - IH(3) AAG / BLACK NYLON BASE



ICON - IH(3) AAG SCB / CHROME BASE



ICON - IMCCL / CANTILEVER BASE

ICON



IH(1)
High back operator chair.

DIMENSIONS	
WIDTH	620mm
DEPTH	620mm
SEAT HEIGHT	500mm 630mm
OVERALL HEIGHT	900mm 1030mm



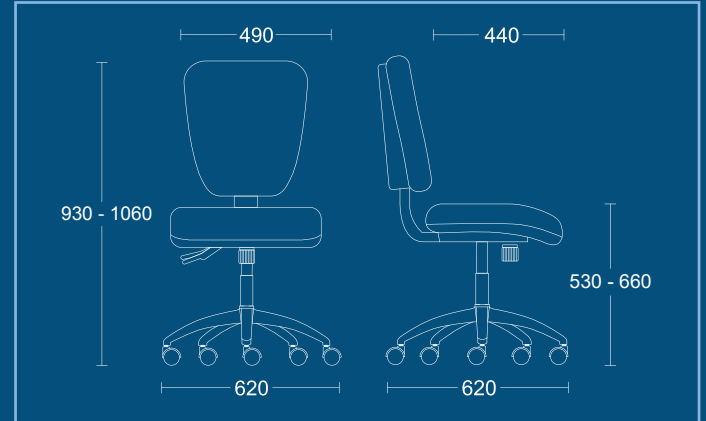
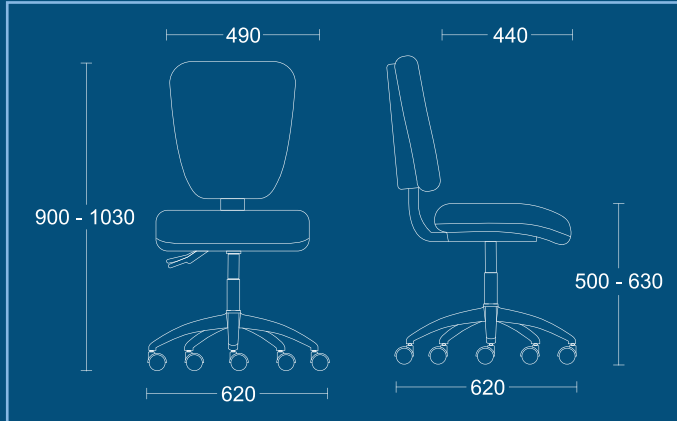
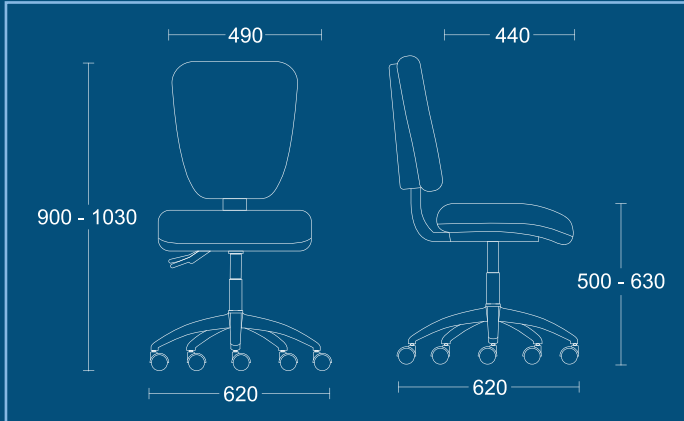
IH(2)
High back operator chair.

DIMENSIONS	
WIDTH	620mm
DEPTH	620mm
SEAT HEIGHT	500mm 630mm
OVERALL HEIGHT	900mm 1030mm



IH(3)
High back operator chair.

DIMENSIONS	
WIDTH	620mm
DEPTH	620mm
SEAT HEIGHT	530mm 660mm
OVERALL HEIGHT	930mm 1060mm



ICON



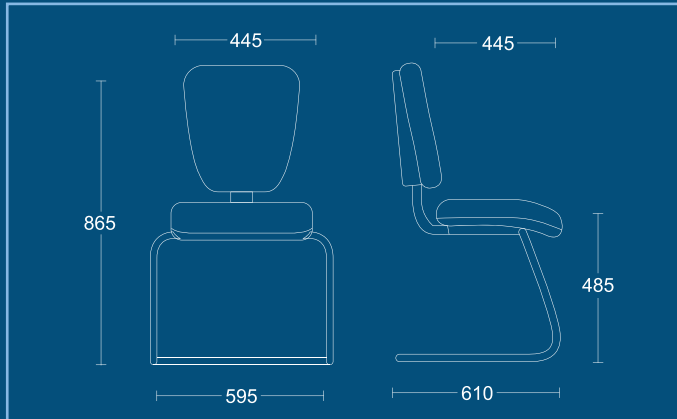
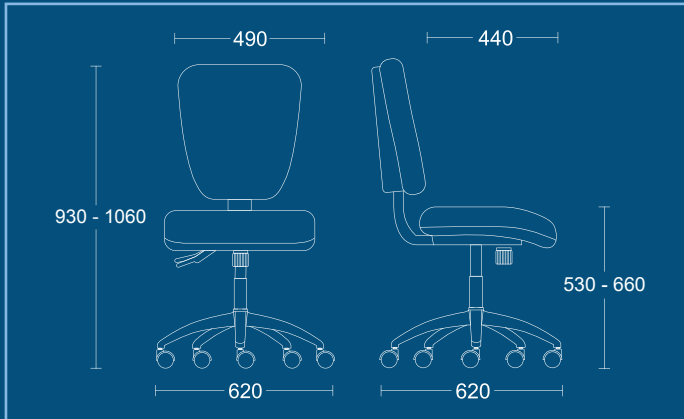
IH(4)
High back operator chair.

DIMENSIONS	
WIDTH	620mm
DEPTH	620mm
SEAT HEIGHT	530mm 660mm
OVERALL HEIGHT	930mm 1060mm



IMCCL
Medium back chrome cantilever visitors chair.

DIMENSIONS	
WIDTH	595mm
DEPTH	610mm
SEAT HEIGHT	485mm
OVERALL HEIGHT	865mm



PSI Seating Limited

Parkside Mill
Walter Street
Blackburn
Lancashire
BB1 1TL

Telephone: **01254 673400**

Fax: **01254 665571**

Email: sales@psiseating.co.uk

www.psiseating.co.uk

[f /psiseating](https://www.facebook.com/psiseating) [t @psiseating](https://twitter.com/psiseating)

[g+ /+psiseating](https://www.google.com/maps/place/PSI+Seating+Limited) [i /psiseating](https://www.instagram.com/psiseating)



Certificate Number 12877
ISO 9001