



ELISE S

ELISE S

Elise S is a robust reception chair featuring a tubular steel frame and slimline upholstery, creating the perfect combination of comfort and practicality.

Standard Features

- CMHR foam
- Tubular steel frame
- Square edged upholstered seat and back

Optional Features

- Two tone upholstery



ELISE S - E86ST / COMPLEMENTARY SQUARE TABLE



ELISE S - ES84 / TWO TONE

ELISE S



ES84

Reception chair with square edged upholstered seat and back.

DIMENSIONS

WIDTH 550mm
 DEPTH 650mm
 SEAT HEIGHT 430mm
 OVERALL HEIGHT 800mm

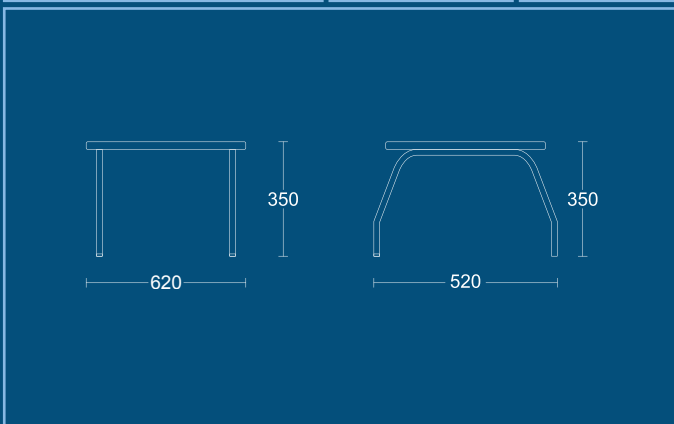
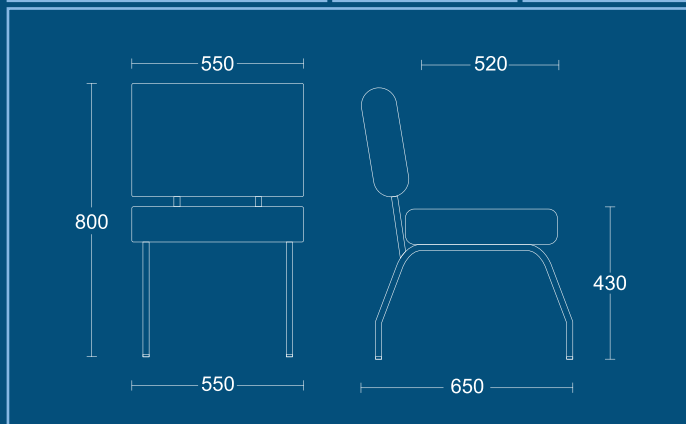


E86ST

Complementary square table.

DIMENSIONS

WIDTH 610mm
 DEPTH 520mm
 OVERALL HEIGHT 350mm



PSI Seating Limited

Parkside Mill
 Walter Street
 Blackburn
 Lancashire
 BB1 1TL

Telephone: **01254 673400**

Fax: **01254 665571**

Email: sales@psiseating.co.uk

www.psiseating.co.uk

[f /psiseating](#)
[@psiseating](#)
[/+psiseating](#)
[/psiseating](#)



Certificate Number 12877
 ISO 9001