



ECLAT POLY

ECLAT POLY

A compelling tweak to our standard E65 chair with the introduction of a black perforated polymer backrest. Breathable and comfortable, this chair will fit seamlessly in to any conference, meeting or waiting area. Specify with black or chrome four legged frame, swivel base and optional armrests.

Standard Features

- Black perforated polymer backrest
- Stack in sets of 3 chairs
(not with Writing Tablet)
- Black four legged frame (EP65 / EP66A)
- Black nylon base (EP65S / EP66SA)
- Upholstered seat
- Seat height adjustment (EP65S / EP66SA)

Optional Features

- Writing Tablet (WTA)
- Chrome frame (EP65S / EP66SA)
- Chrome base (SCB) (EP65S / EP66SA)



ECLAT POLY - EP65C



ECLAT POLY - EP65



ECLAT POLY - EP65 / BLACK PERFORATED POLYMER BACKREST



ECLAT POLY - EP65S / BLACK NYLON BASE

ECLAT POLY



EP65

Four legged black stacking chair.

DIMENSIONS	
WIDTH	530mm
DEPTH	580mm
SEAT HEIGHT	500mm
OVERALL HEIGHT	790mm



EP66A

Four legged black stacking chair with armrests.

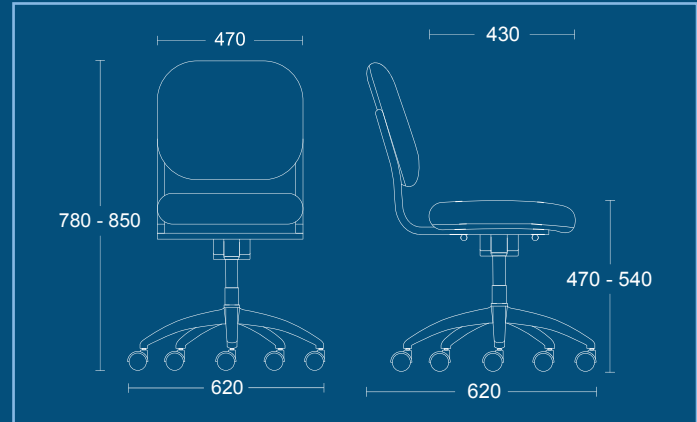
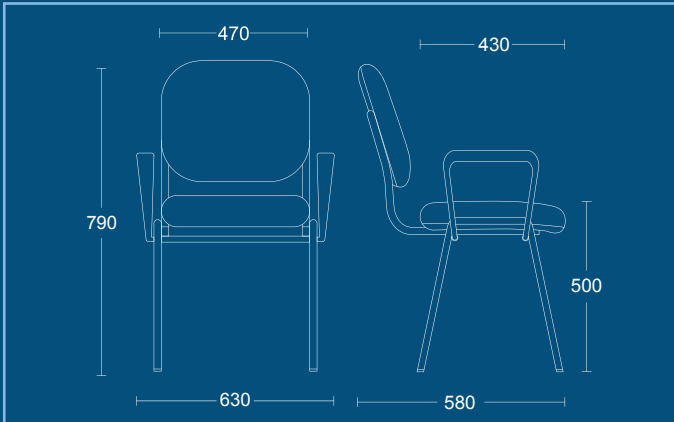
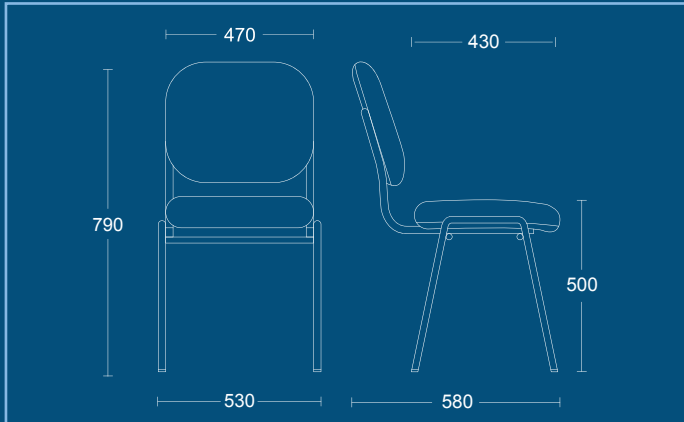
DIMENSIONS	
WIDTH	630mm
DEPTH	580mm
SEAT HEIGHT	500mm
OVERALL HEIGHT	790mm



EP65S

Medium back chair with upholstered seat and back and black nylon base

DIMENSIONS	
WIDTH	620mm
DEPTH	620mm
SEAT HEIGHT	470mm
OVERALL HEIGHT	780mm
	850mm



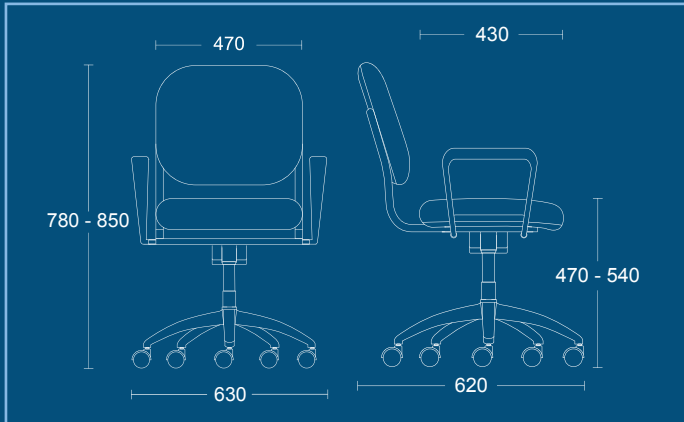
ECLAT POLY



EP66SA

Medium back armchair with upholstered seat and back and black nylon base

DIMENSIONS	
WIDTH	630mm
DEPTH	620mm
SEAT HEIGHT	470mm
OVERALL HEIGHT	780mm
	850mm



PSI Seating Limited

Parkside Mill
Walter Street
Blackburn
Lancashire
BB1 1TL

Telephone: **01254 673400**

Fax: **01254 665571**

Email: sales@psiseating.co.uk

www.psiseating.co.uk

[/psiseating](https://www.facebook.com/psiseating)
[@psiseating](https://twitter.com/psiseating)
[/+psiseating](https://plus.google.com/+psiseating)
[/psiseating](https://www.instagram.com/psiseating)



Certificate Number 12877
ISO 9001