



ECLAT MESH

ECLAT MESH

The Eclat Mesh side chair can be used in a wide range of settings and its affordable price makes this a popular choice. Available with black or chrome four legged frame, with or without arms and with an optional writing tablet.

Standard Features

- Black mesh back
- Upholstered seat
- Black four legged frame
- Stack in sets of 3 (not with writing tablet)

Optional Features

- Chrome Frame



ECLAT MESH - EMS67WTA / WRITING TABLET



ECLAT MESH - EMS65 / LINKING MECHANISM

ECLAT MESH



EMS65

Black mesh back stacking chair with upholstered seat and four legged black frame.

DIMENSIONS	
WIDTH	530mm
DEPTH	580mm
SEAT HEIGHT	500mm
OVERALL HEIGHT	790mm



EMS66A

Black mesh back stacking armchair with upholstered seat and four legged black frame.

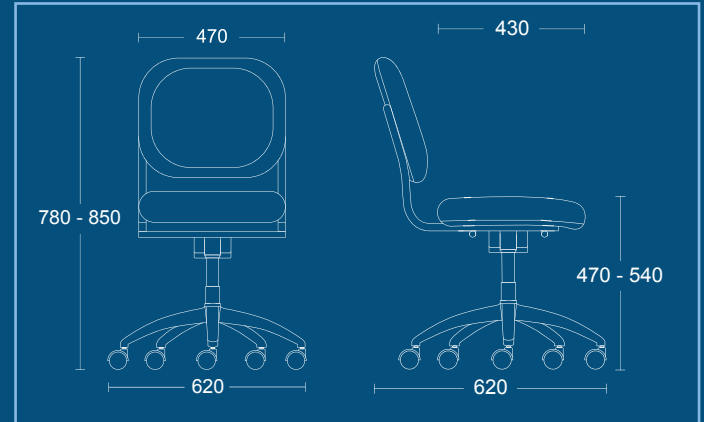
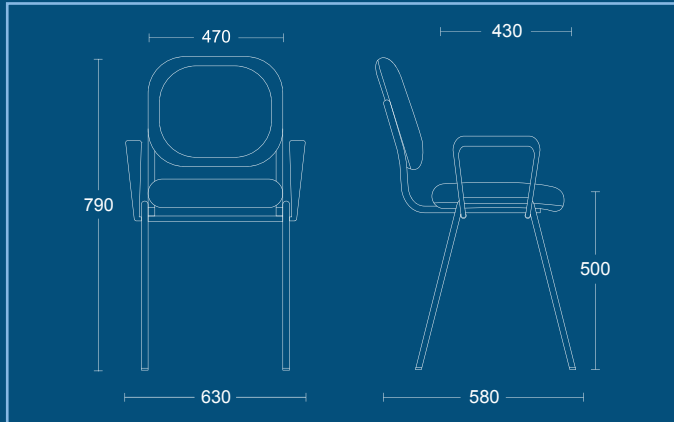
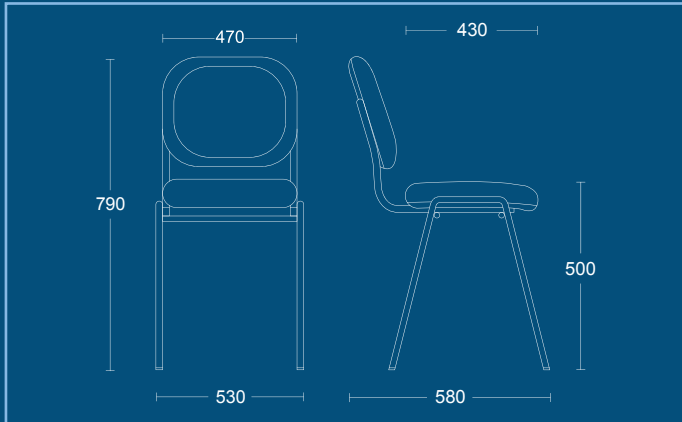
DIMENSIONS	
WIDTH	630mm
DEPTH	580mm
SEAT HEIGHT	500mm
OVERALL HEIGHT	790mm



EMS65S

Black mesh back stacking chair with writing tablet, upholstered seat and black frame.

DIMENSIONS	
WIDTH	620mm
DEPTH	620mm
SEAT HEIGHT	470mm
OVERALL HEIGHT	850mm



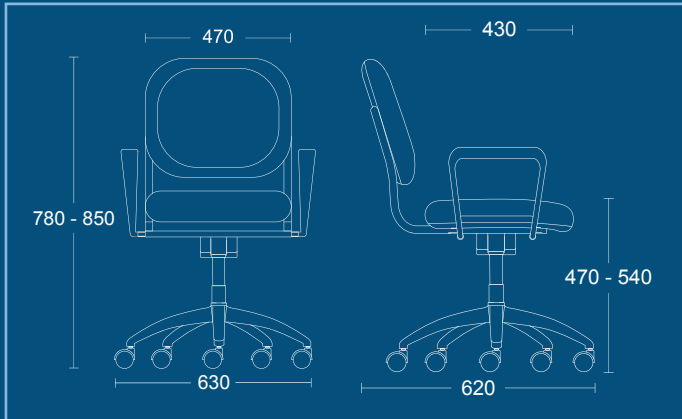
ECLAT MESH



EMS66SA

High back chrome cantilever mesh armchair.

DIMENSIONS	
WIDTH	630mm
DEPTH	620mm
SEAT HEIGHT	470mm
OVERALL HEIGHT	850mm



PSI Seating Limited

Parkside Mill
Walter Street
Blackburn
Lancashire
BB1 1TL

Telephone: **01254 673400**

Fax: **01254 665571**

Email: sales@psiseating.co.uk

www.psiseating.co.uk

[/psiseating](https://www.facebook.com/psiseating)
[@psiseating](https://twitter.com/psiseating)
[/+psiseating](https://www.google.com/+psiseating)
[/psiseating](https://www.instagram.com/psiseating)



Certificate Number 12877
ISO 9001