



DOLLY

DOLLY

The Dolly is an affordable all-round stacking chair with a chrome sled frame suitable for a wide variety of tasks. Lightweight in design and available in a range of polypropylene colours the Dolly has the capacity to stack 25 high for space saving storage. Options for upholstered seat and back pads allow for additional comfort.

Standard Features

- Black polypropylene chair with a choice of upholstered seat pad or seat and back pad
- Integral linking device Chrome sled frame
- Stack in sets of 25 chairs (upholstered chairs stack in sets of 5)



DOLLY



DOLLY - DOLLY / LINKED ROWS



DOLLY



DOLLY

Chrome sled frame polypropylene chair.

DIMENSIONS	
WIDTH	540mm
DEPTH	600mm
SEAT HEIGHT	450mm
OVERALL HEIGHT	860mm



DOLLY(SP)

Chrome sled frame chair with upholstered seat pad.

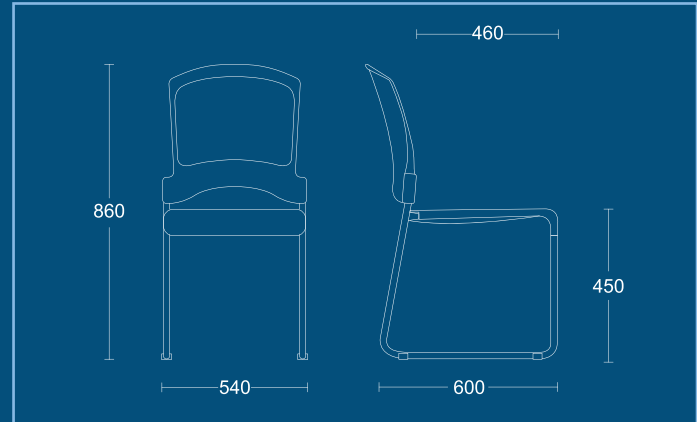
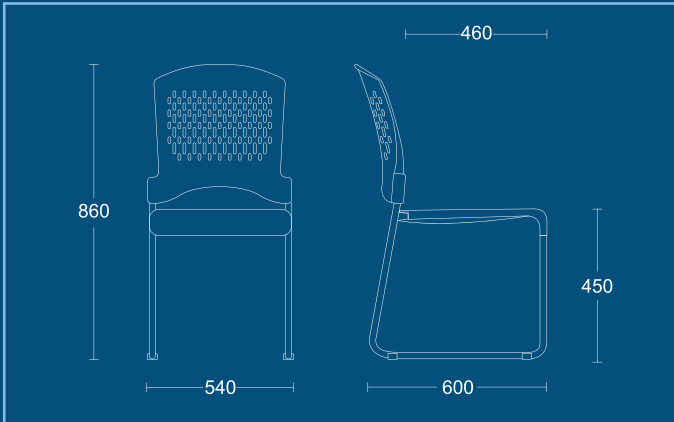
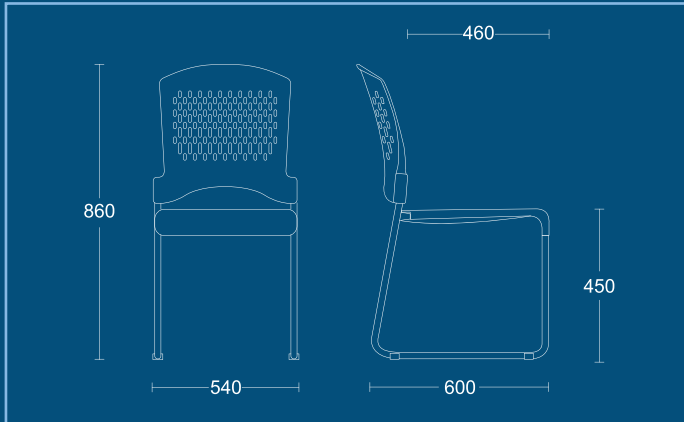
DIMENSIONS	
WIDTH	540mm
DEPTH	600mm
SEAT HEIGHT	450mm
OVERALL HEIGHT	860mm



DOLLY(SBP)

Chrome sled frame chair with upholstered seat and back pad.

DIMENSIONS	
WIDTH	540mm
DEPTH	600mm
SEAT HEIGHT	450mm
OVERALL HEIGHT	860mm



DOLLY



D TROLLEY

Stacked multi-chair transport trolley. (Excludes chairs).

PSI Seating Limited

Parkside Mill
Walter Street
Blackburn
Lancashire
BB1 1TL

Telephone: **01254 673400**

Fax: **01254 665571**

Email: sales@psiseating.co.uk

www.psiseating.co.uk

[/psiseating](https://www.facebook.com/psiseating)
[@psiseating](https://twitter.com/psiseating)
[/+psiseating](https://plus.google.com/+psiseating)
[/psiseating](https://www.instagram.com/psiseating)



Certificate Number 12877
ISO 9001