



ARIA 'C'

# ARIA 'C'

Executive & Managerial armchair with high and medium back options. Aria 'C' comes with a soft padded seat and back.

## Cleaning & Maintenance

Clean leather arm sleeves and seat with a general purpose leather cleaner. Clean chrome surfaces with a proprietary chrome cleaner. Clean black plastic surfaces with a damp cloth. Ensure to check tightness of bolts annually to maintain chair structure.

## Standard Features

- Padded seat and back (Aria 'C')
- Soft leather facings
- Knee tilt mechanism with multi-position lock and anti-shock brake
- Tension control
- Chrome base
- Chrome armrests with leather arm sleeves

## Optional Features

- Glides
- Soft castors



ARIA 'C' - CM3



ARIA 'C' - CH1



ARIA 'C' - CM2 / CHROME BASE WITH CASTORS



ARIA 'C' - CM3 / MEMORY RETURN BASE



ARIA 'C' - CMCA / CHCA / CANTILEVER BASE

### ARIA 'C'



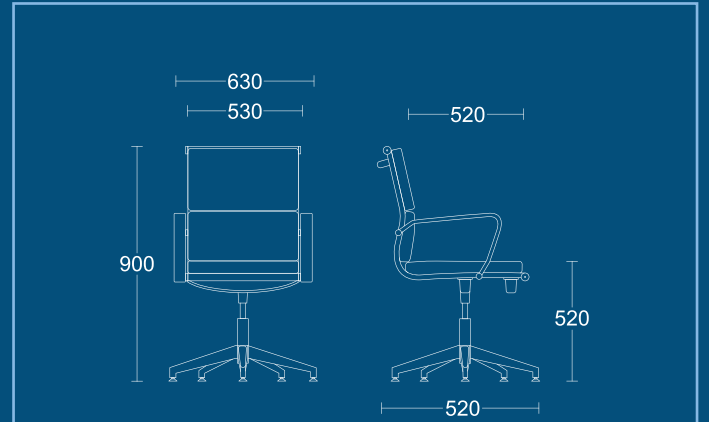
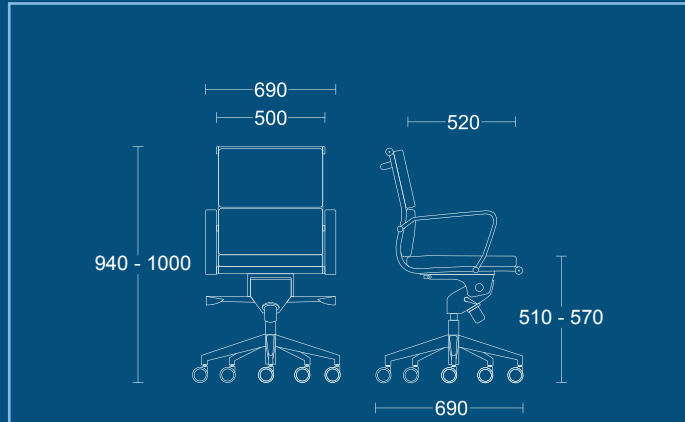
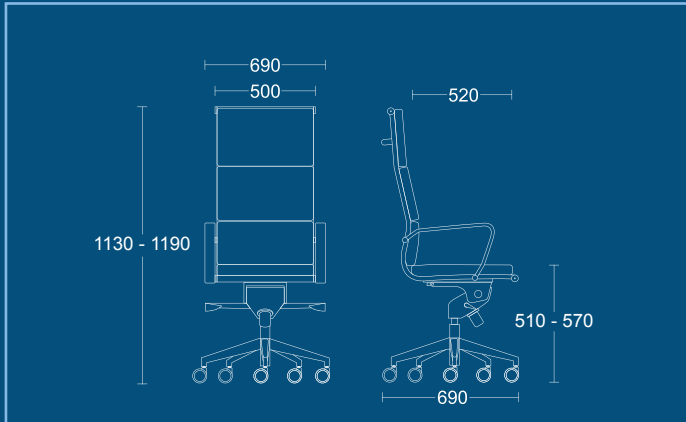
<b>CH1</b>	High back armchair with chrome arms and base.
<b>DIMENSIONS</b>	
WIDTH	690mm
DEPTH	690mm
SEAT HEIGHT	510mm
OVERALL HEIGHT	1130mm
	1190mm



<b>CM2</b>	High back armchair with chrome arms and base
<b>DIMENSIONS</b>	
WIDTH	690mm
DEPTH	690mm
SEAT HEIGHT	510mm
OVERALL HEIGHT	940mm
	1000mm



<b>CM3</b>	Tub armchair with black nylon feet.
<b>DIMENSIONS</b>	
WIDTH	630mm
DEPTH	520mm
SEAT HEIGHT	520mm
OVERALL HEIGHT	900mm



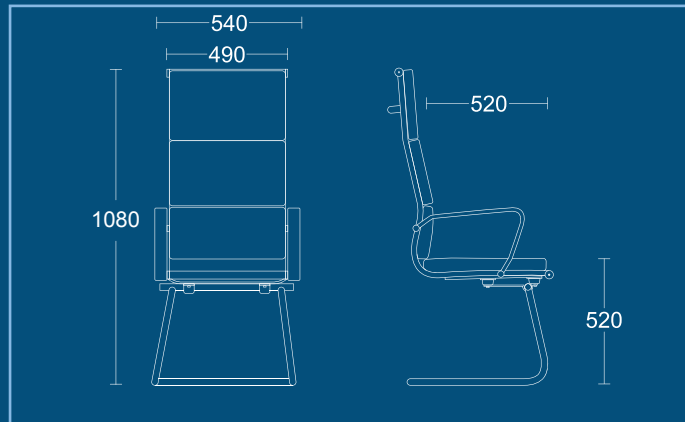
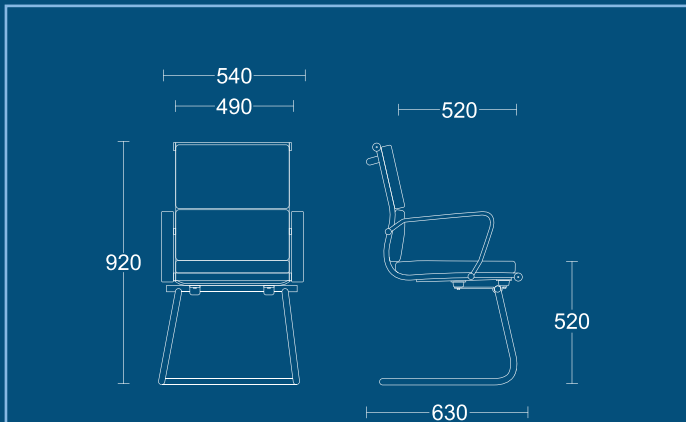
### ARIA 'C'



<b>CMCA</b>	Medium back chrome cantilever armchair.
<b>DIMENSIONS</b>	
WIDTH	540mm
DEPTH	630mm
SEAT HEIGHT	520mm
OVERALL HEIGHT	920mm



<b>CHCA</b>	High back chrome cantilever armchair.
<b>DIMENSIONS</b>	
WIDTH	540mm
DEPTH	630mm
SEAT HEIGHT	520mm
OVERALL HEIGHT	1080mm



### PSI Seating Limited

Parkside Mill  
Walter Street  
Blackburn  
Lancashire  
BB1 1TL

Telephone: **01254 673400**

Fax: **01254 665571**

Email: [sales@psiseating.co.uk](mailto:sales@psiseating.co.uk)

[www.psiseating.co.uk](http://www.psiseating.co.uk)

[f](#) /psiseating [t](#) @psiseating

[g+](#) /+psiseating [i](#) /psiseating



Certificate Number 12877  
ISO 9001